

D

D

C

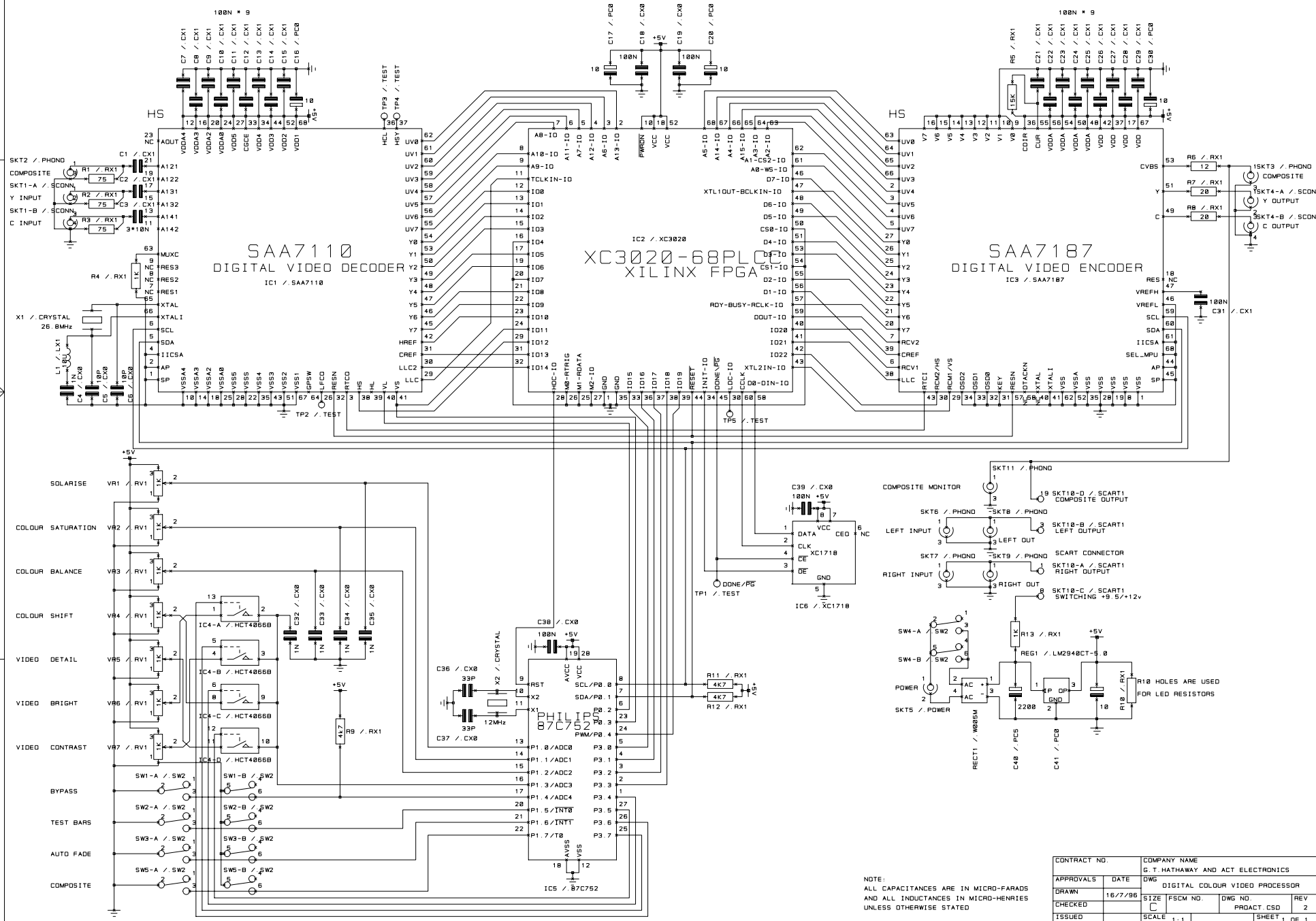
C

B

B

A

A



NOTE:  
ALL CAPACITANCES ARE IN MICRO-FARADS  
AND ALL INDUCTANCES IN MICRO-HENRIES  
UNLESS OTHERWISE STATED

CONTRACT NO.		COMPANY NAME	
APPROVALS		G. T. HATHAWAY AND ACT ELECTRONICS	
DATE	DWG	DIGITAL COLOUR VIDEO PROCESSOR	
16/7/96			
CHECKED	SIZE	FSCM NO.	DWG NO.
	C		REV 2
ISSUED	SCALE	1:1	PRODUCT_CSD
			SHEET 1 OF 1